



Panel PC

Product Launch

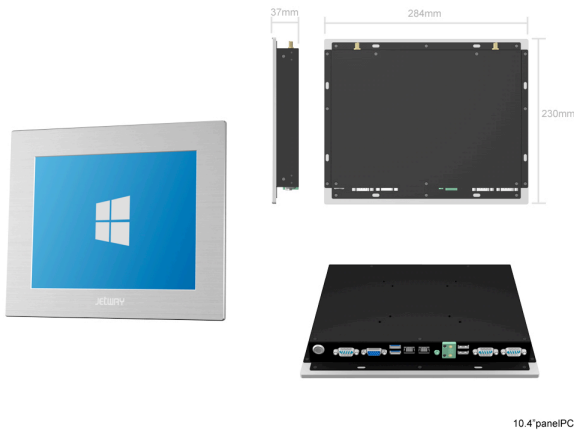
Guide -[HPC104BR-2930-4G]

Panel PC Series

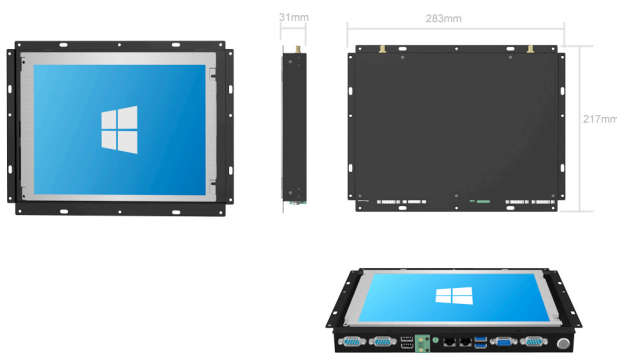


iBT Technologies Inc.
www.ibtpanelpc.com - 1-866-590-4288

DATE: January 12, 2015

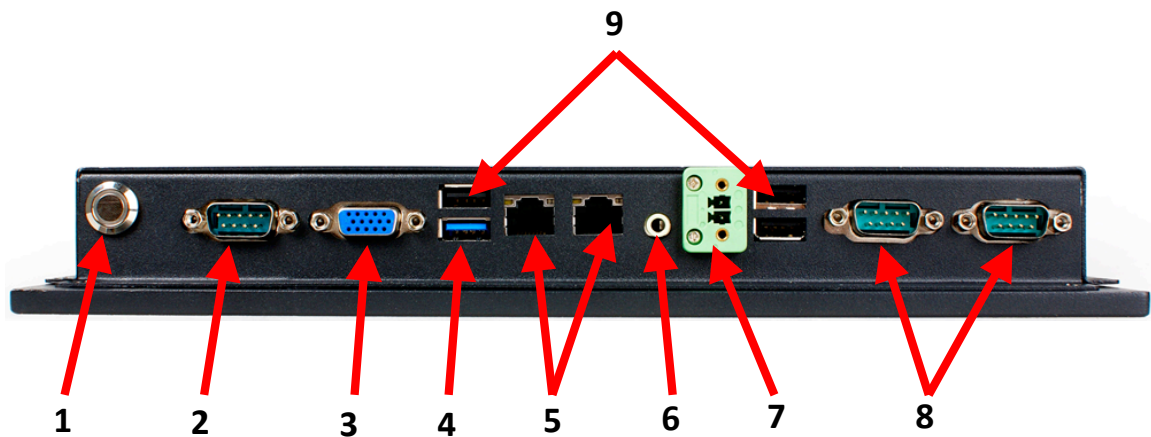


10.4" panel PC

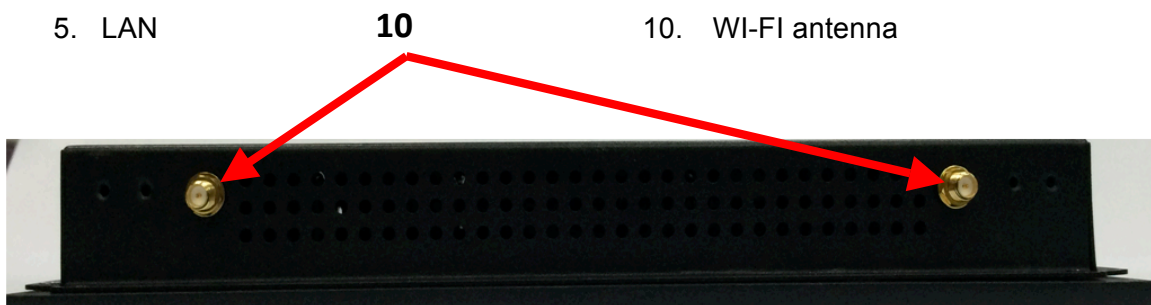


10.4" Open Frame panel PC

1. INTEL® BayTrail--M N2930 SOC Chip
2. Onboard INTEL® BayTrail-M N2930 1.83GHz Quad Cores CPU
3. Onboard SAMSUNG 4G/1333MHz DDR3L Memory
4. Support DirectX 11 3D Graphics Acceleration
5. Support 1*Serial ATAI(3Gb/s) Devices
6. Support Dual INTEL® Gigabit LAN
7. Support CRT Output
8. Equipped with 802.11 b/g/n WIFI card & External Antenna
9. Support 3* COM ports (COM2/COM3 Support RS422/485)
10. Support 2.5" SATA HDD
11. Support 1*M-SATA Socket
12. Support 1*Mini PCI-E Socket
13. Support 3* USB2.0 Ports
14. Support 1* USB3.0 Port
15. Support 3G SIM Card
16. Support slick design
17. VESA mount(100mm X100mm & 75mm x 75mm)



- | | |
|--|--|
| <ol style="list-style-type: none"> 1. Power Button 2. COM for RS232 3. CRT 4. USB3.0 5. LAN | <ol style="list-style-type: none"> 6. Line-out 7. DC-Jack(Euro terminal block) 8. COM RS232/422/485 9. USB2.0 10. WI-FI antenna |
|--|--|



Case	Case Material	Iron
	Color	Black
	Coating Requirement	Spray Paint
	Protection grade (IP)	IP65
	Speaker	N/A
	Bracket	6 (Top:2pcs、 Side:4pcs, Optional)
	Installation Type	Open Frame / Wall Hanging (Optional)
	Cooling Mode	Fan less Fully sealed design
System Specification	Form Factor	4"
	Processor	INTEL® BayTrail M N2930 1.83 GHzQC
	System Chipset	INTEL® BayTrail M N2930 (SOC)
	System Memory	4G/1 333MHz DDR3L SAMSUNG DRAM
	BIOS	64MB SPI Flash ROM
	Ethernet	2*INTEL® 211ATGigabit LAN
	Audio	Realtek® ALC887HD Audio
	Storage	1* Serial ATA2 3Gb/s connector 1* M SATA connector
	WIFI Module	N/A(Optional)
	Optical Device	N/A
	Expansion	PCI E mini card for WLAN
	Display Output	CRT
	I.O Port	1*USB3.0、 3*USB2.0、 1*RS232、 2*RS232/422/485、 1*Line out
	Power Adapter	DC IN (9~24V,Euro terminal block)
	OS Support	Windows 7/8/8.1
	Temperature	Operating: 10 ~ +60°C
	Humidity	20%~90% (non condensing)
	Shock	Operating: 15G, 11ms duration
	Vibration	Operating: 5~500Hz/1 Grms
	Net Weight (kg)	
	Dimension	284 0mm*230.0mm*37 0mm
	Certification	FCC CE IP65
Other	Support Non wire I.O interface output	
Other	Application	Commercial、 Banking、 Digital Signage POS/KIOSK、 Industrial Automation
	Special Features	Metal design, compact、 slick

Specifications

Information	Other	Optional wall hanging telescopic bracket, etc., can also be used as the embedded security
Accessory	Adapter	1* 60W AC-DC Adapter
	Power cord	1*Power cord
	Manual	2*Manual
	CD	1*CD
	Other	2* WI-FI antenna

Panel	Panel Spec	AUO G104STN01.0
	Viewable Size Image	10.4 inch With LED Backlight
	Active Area	211.2(H) x 158.4(V)
	Resolution	800 x 600 @60Hz
	Display Color	262K
	Pixel Pitch	0.264 x 0.264 mm
	Aspect Ratio	4:3
	Contrast Ratio	700:1
	Max Brightness	400 cd/m ²
	Viewing Angle(H/V)	H160/V130
	Response Time	10ms
	Temperature Range	-30 ~ +80°C(Operating)
Touch	Touch panel style	5 wires analog resistive
	Active Range	211.58 x 158.75mm ±0.2mm
	Temperature Range	-10 ~ +60°C(Operating)
	Transparency	80 ±3%
	Surface Hardness	≥ 3H (ASTM D3363, pressure 750g/45°)
	Operating Force	☐ 80g
	Knock test	10,000,000 times keystrokes